

**From SHUTDOWN
SYSTEMS...**

**to SPEED
CONTROLS**

and EVERYTHING IN BETWEEN

TROMBETTA CAN HANDLE THE JOB!

Let TROMBETTA be the SOLUTION to your engine control PROBLEM!

- Push/pull forces from 15 pounds to over 100 pounds
- Strokes to 3 inches... and MORE!
- Standard lines to replace SYNCHRO-START, DELCO, MURPHY
- CUSTOM designs for your SPECIAL problem
- FAST response PROTOTYPES and DESIGN CAPABILITY

CALL or FAX us for faster PROBLEM SOLVING SERVICE!

Trombetta + -
ELECTROMAGNETICS



ELECTRONIC - HYDRAULIC - SYSTEMS

HUEGLI TECH AG 4900 LANGENTHAL SWITZERLAND
TEL. + 41 62 916 50 30 FAX. + 41 62 916 50 35

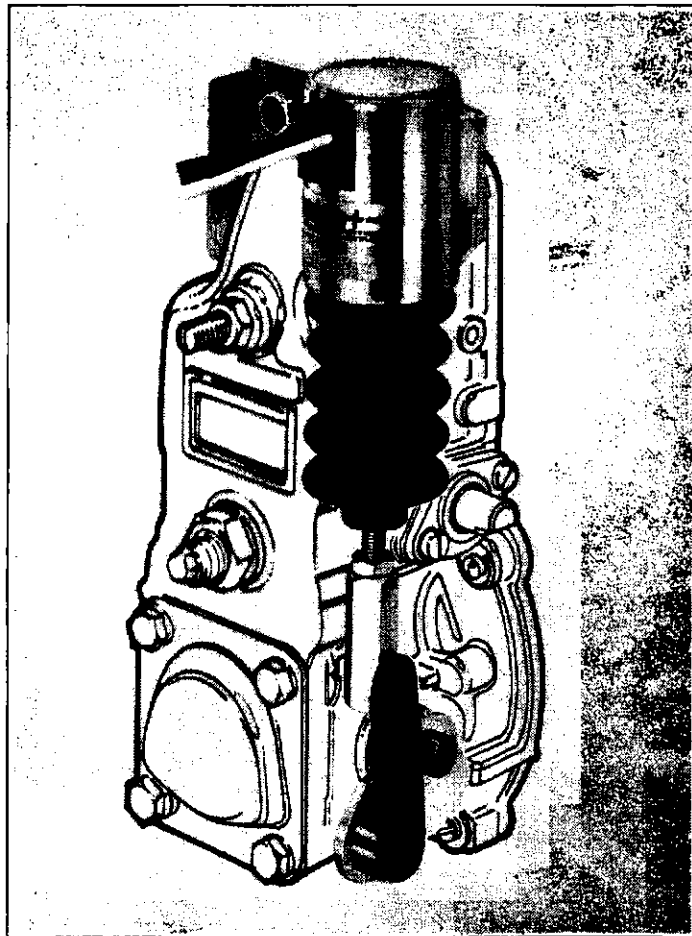
E - Mail : sales@huegli-tech.com

Governor Mounted Shutdown Kits P610 - K1V12* (Left Mounted) P610 - K2V12* (Right Mounted)

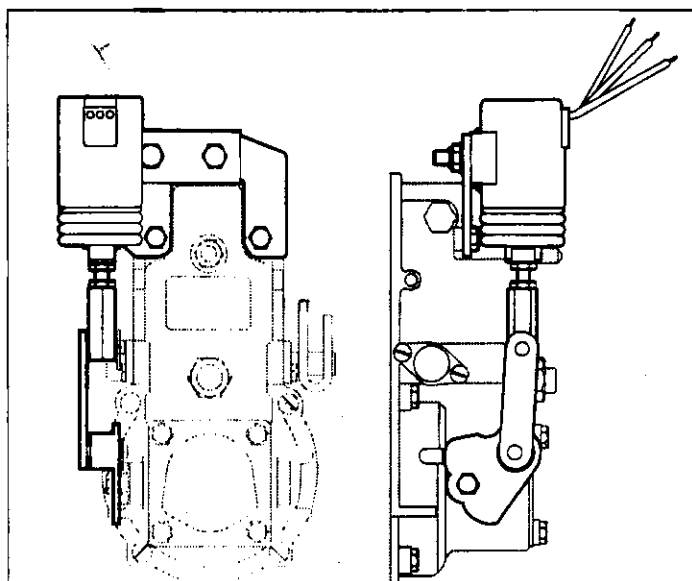
*V12 indicates 12 volt system... substitute V24 for 24 volt systems. Consult Factory for other voltages.

FEATURES INCLUDE:

- **HEAVY DUTY LINKAGE**
....coated linkage components and increased bearing surface for extended lifeNO BALL JOINTS.
- **HEAVY DUTY MOUNTING BRACKET**
.... minimizes effects of vibration.
- **EASE OF INSTALLATION**
....2 bolt mount .
....factory preset .
....no need to tamper with governor adjustment cover.
- **SERVICEABLE**
....solenoid can be removed without disturbing governor .
- **RIGHT OR LEFT HAND MODELS.**



FITS ON BOSCH RSV GOVERNORS:
SIMILAR MODELS FOR OTHER SYSTEMS - CONSULT FACTORY.



ELECTRONIC - HYDRAULIC - SYSTEMS

HUEGLI TECH AG 4900 LANGENTHAL SWITZERLAND
TEL. 062 916 50 30 FAX. 062 916 50 35

E-Mail: hueglitechag@bluewin.ch

INSTALLATION INSTRUCTIONS

The following instructions depict a left-hand mount. Installation of the right-hand mount would be identical except everything would be a mirror image.

1. Refer to figure 1 to verify contents of kit.

NOTE: The entire kit consists of
 One Solenoid/Bracket/Linkage Assembly,
 Two Mounting Bolts, and Three Lock Washers.

2. Familiarize yourself with the overall installation by carefully reviewing all accompanying photos and illustrations.

Refer to bill of materials list for steps 3-5c.

3. Remove existing fuel lever by removing existing bolt, fuel lever, spring cover and torsion spring. Discard original fuel lever and torsion spring. Save the original bolt (12) and spring cover (13) for later use.

Torsion spring **MUST** be removed!

4. Remove and discard the two upper governor housing bolts. These will be replaced during installation by new, longer bolts (6) and lockwashers (8) to ensure proper thread engagement.

5. Install the kit as follows:

- a. Place the Solenoid/Bracket/Linkage assembly into position against the governor housing. Loosely attach utilizing new bolts (6) and lockwashers (8).

- b. Attach the new linkage assembly by installing original springcover (13), new fuel lever assembly (4), lockwasher (8) and original bolt (12).

DO NOT reinstall torsion spring!

NOTE: The fuel lever assembly has a half-moon shaped notch cut into it as an indicator. When properly installed this notch side should be up.

- c. Complete installation by tightening all mounting hardware.

NOTE: Proper torque specs are 3.5 - 5 foot pounds (5-7 NM).

- d. Perform electrical installation by utilizing the system configuration Figure 2. If your system is different than presented, please contact the factory for assistance in determining proper system wiring.

- e. Verify wiring, stroke and tightness of all connections. Operate engine and adjust if necessary.

NOTE: The linkage is preset at the factory and should not require adjustment. Please ensure that the solenoid plunger bottoms out at the end of its stroke just prior to/ simultaneously with the bottoming out of the fuel lever lobe against its stop.

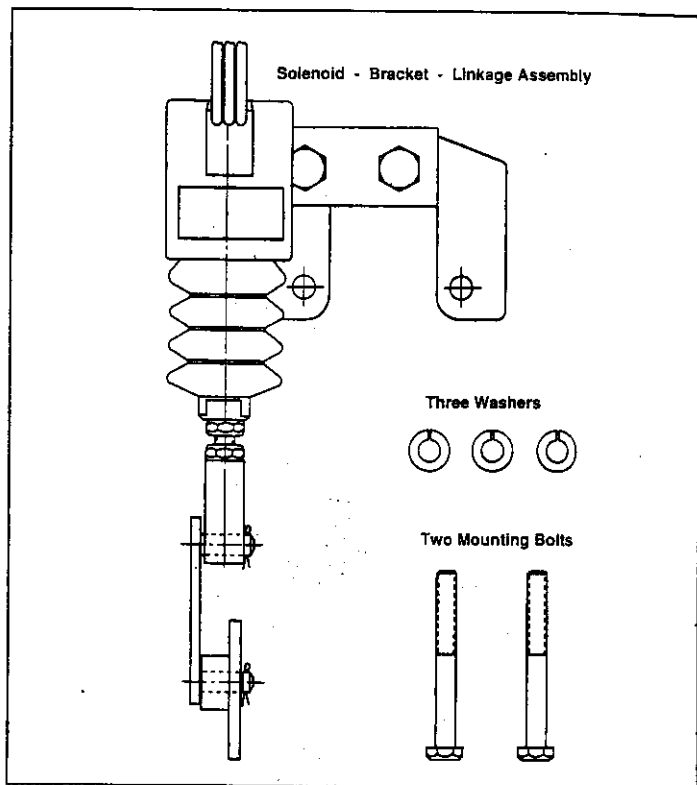


FIGURE 1: KIT CONTENTS

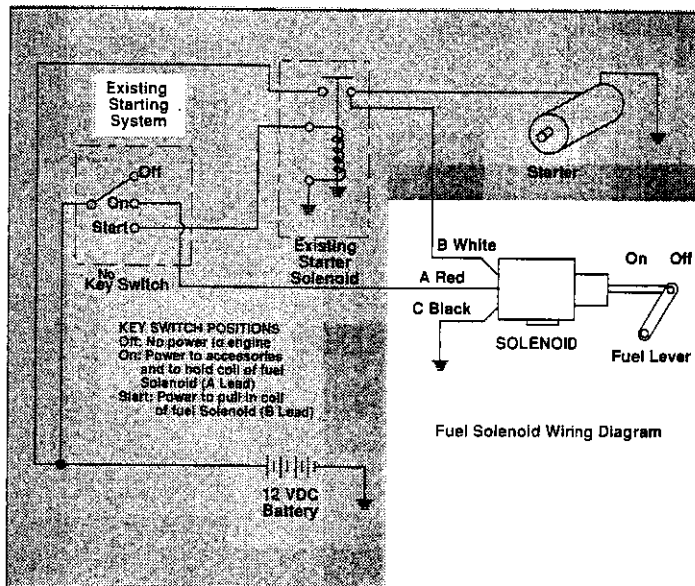
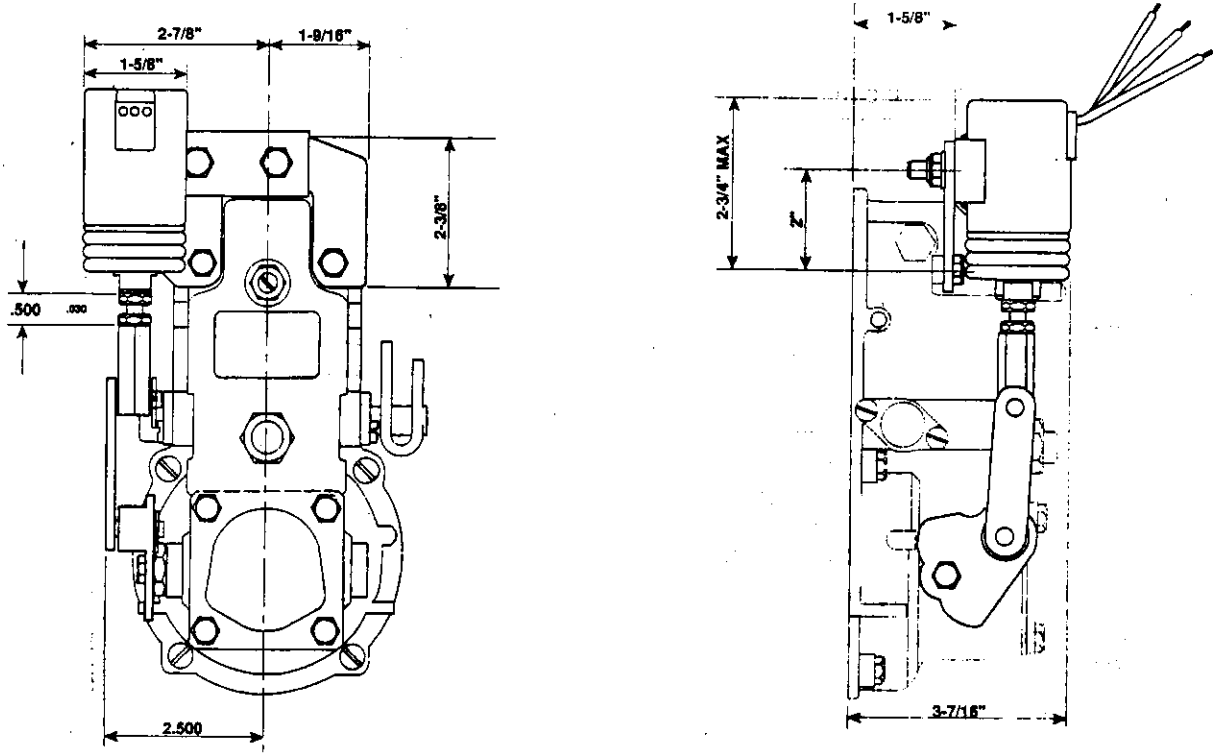


FIGURE 2: WIRING DIAGRAM

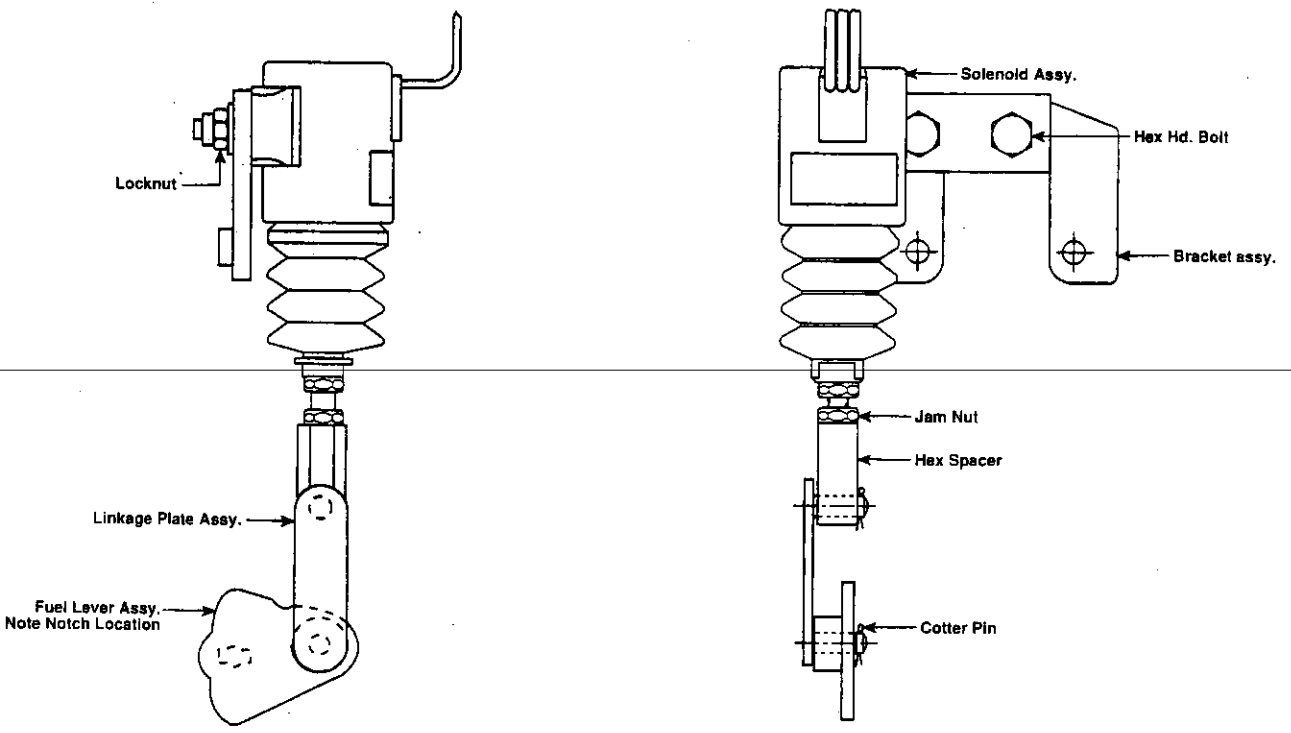
**IN THE EVENT OF ANY PROBLEMS
 CONSULT FACTORY.**


Dimensions



Dimensions for reference only... Subject to change without notice.

Parts





ELECTRONIC - HYDRAULIC - SYSTEMS

HUEGLI TECH AG 4900 LANGENTHAL SWITZERLAND

TEL. +41 62 916 50 30 FAX. +41 62 916 50 35

E - Mail: sales@huegli-tech.com